

TOTO TOUCHLESS FAUCET

Touchless Faucet Deck Mounted

TLE29002A



FEATURES

- Hands-free usage increases hygiene
- Sensor positioned underneath the spout head for more accurate user detection
- SELF POWER Technology: Self-generated power saves electricity(Controller: TLE03502A)
- WATER SAVING
- ECO CAP Technology: TOTO aerated bubble technology adds air to the water to achieve full water jet

SPECIFICATIONS

- Flow Rate : 2L/min
- Water Pressure : 0.25 ~ 0.75 Mpa
- Finish : Nickel Chrome

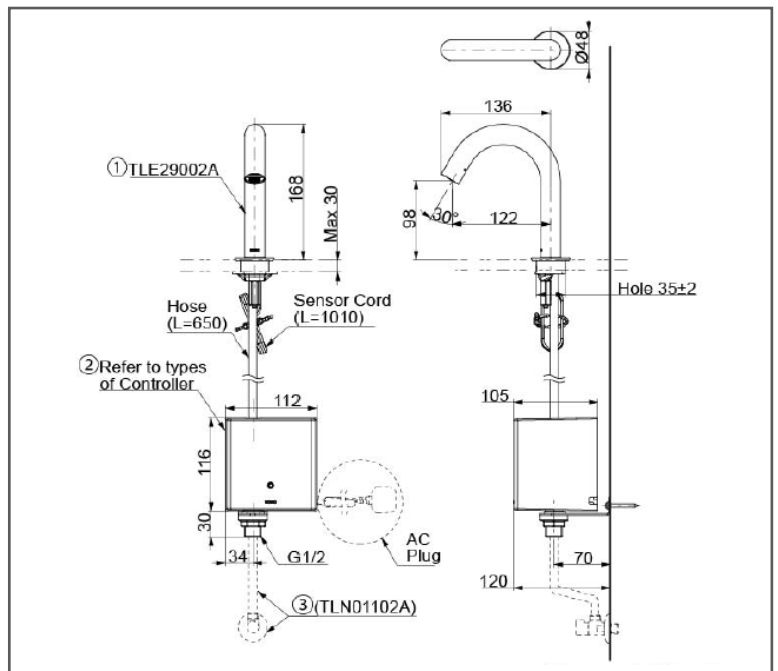
PARTS DESCRIPTION

Single Supply Combination

TLE29002A (Deck-mounted) Spout with Sensor Unit

- **AC Controller**
TLE01502A (AC Operated - BF Plug)
- **Self Powered Controller**
TLE03502A (Self Powered)
- **Battery Operated Controller**
TLE04502A (Battery Operated)

TLE29002A



Please consult, TOTO representative for more details.

All rights reserved by TOTO including but not limited to Improve & Change of Product Design, Specs or Availability at any time without prior notice